

JX0(NON-CE) JX0-30(CE) Electric order picker

EP
Let's grow together



- Intuitive driving system and controls
- Compact size and small turning radius for usage in tightest spaces
- High capacity electric powered load tray
- Great ergonomic design with spacious operator compartment and comfortable bucket gates
- Maximum safety with automatic gate locking, operator sensors and blue spot light
- 24V Li-Ion battery option: grant efficiency, long autonomy and opportunity charging



Manufacturer			EP	EP
Model designation			JX0/JX0-30(Lead acid)	JX0/JX0-30(Li-ion)
Drive			Electric	Electric
Load capacity	Q	kg	90/110/136	90/110/136
Wheelbase	y	mm	1095	1095
Service weight		kg	800	800
Height of overhead/ guard cabin	h6	mm	1425	1425
Lift height	h3	mm	3615	3615
Height, mast extended	h4	mm	4090	4090
Overall length	l2	mm	1440	1440
Overall width	b1/b2	mm	750	750
Stand height, elevated	h12	mm	3000	3000
Turning radius	Wa	mm	1260	1260
Travel speed, laden/unladen		km/h	6/6.5	6/6.5
Lifting speed, laden/unladen		m/s	0.22/0.27	0.22/0.27
Lowering speed, laden/unladen		m/s	0.31/0.25	0.31/0.25
Max. gradeability, laden/unladen		%	5/8	5/8
Drive motor rating S2 60 min		kW	0.65	0.65
Battery voltage/nominal capacity		V/Ah	24/120	24/135

FEATURE

■ Safe and efficient assistant for order picking

The safe, practical and efficient alternative to ladder, traditional order pickers and working platform, JX0/JX0-30 is the perfect truck for operations in busy and confined spaces which helps minimize travelling and picking time. JX0/JX0-30 offers a working height of 5 meters and a picking height of 4,5 meters, suitable for high rack system in small to large warehouses.



■ Intuitive driving system and controls

Effortless, intuitive and precise driving through mini steering (left side) and driving direction and speed control (right side). Platform and load tray controls buttons are located in comfortable position. The LCD display shows battery status, driving and turning direction, hourmeter. At every start JX0/JX0-30 automatically regulate to straight driving direction.



■ Compact size and ergonomic design

The compact size, the effortless driving and the 180 ° steering allow JX0/JX0-30 to work in extremely narrow spaces in an easy and comfortable way. The spacious operator compartment and the fingertip controls make the JX0/JX0-30 an ergonomic machine allowing long and fatigue-free operation.



■ Safety and performance

Driving and lifting can be done simultaneously for the maximum efficiency and travelling speed is automatically regulated based on the operator lifting height. Several sensors allow for verifying the correct working position and the gate lock, and unlocking automatically based on the lifting position. JX0/JX0-30 comes with the blue spot light and buzzer to comply with the highest safety standard.



■ Lithium battery option available

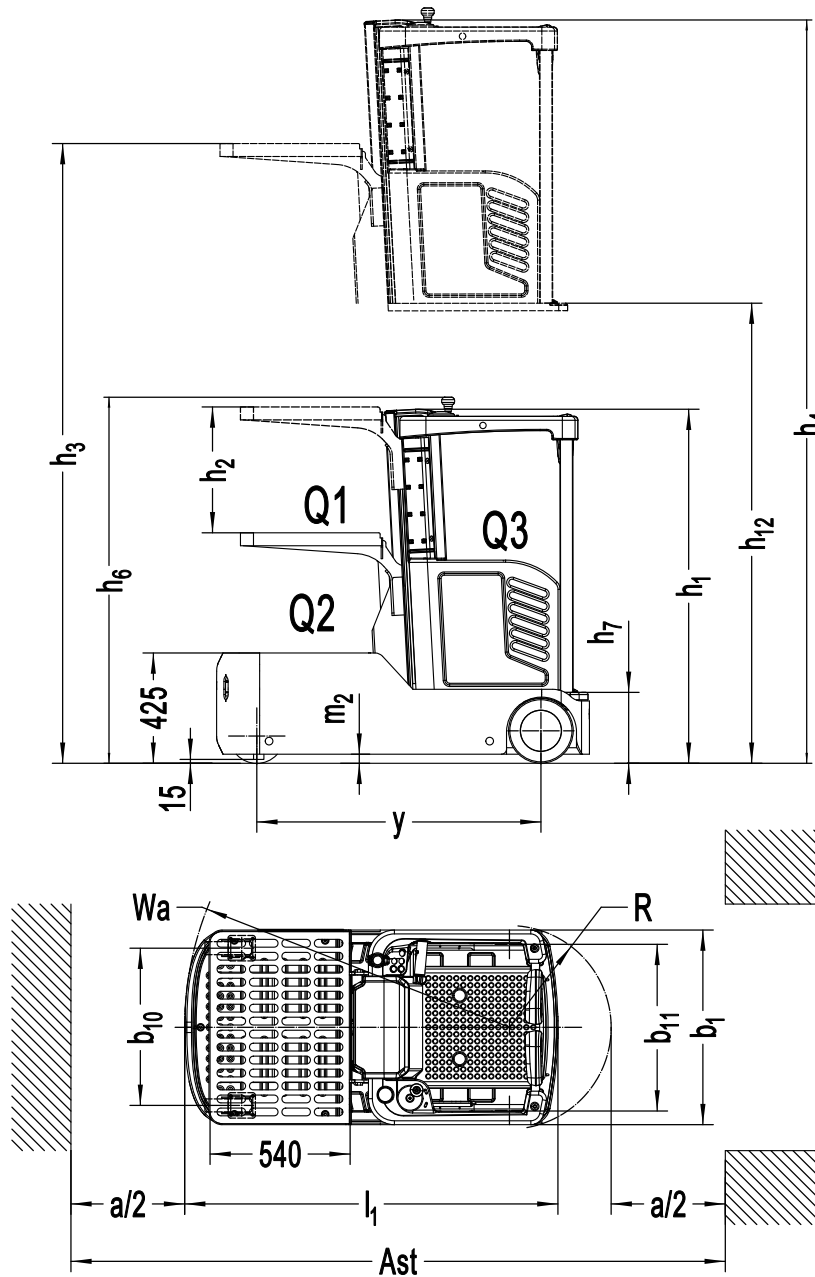
JX0 delivers 24V/135Ah maintenance-free lithium battery option which is the suggested choice for the JX0 order picker: in combination with single-phase 24V-30A integrated charger, JX0/JX0-30 allows long operating time with fast opportunity charging.



Task support vehicle JX0/JX0-30

Distinguishing mark	1.1	Manufacturer			EP	EP
	1.2	Model designation			JX0/JX0-30 (Li)	JX0-JX0-30
	1.3	Drive unit			Electric	Electric
	1.4	Operator type			Order-picker	Order-picker
	1.5	Rated capacity	Q	kg	90/110/136	90/110/136
	1.6	Load center distance	c	mm	—	—
	1.8	Load distance, centre of drive axle to fork	x	mm	—	—
	1.9	Wheelbase	y	mm	1095	1095
	Service weight	2.1	Service weight			800
2.2		Axle loading, laden front/rear			590/410	590/410
2.3		Axle loading, unladen front/rear			380/420	380/420
Tyres/chassis	3.1	Tyre type			Polyurethane/Solid rubber	Polyurethane/Solid rubber
	3.2	Tyre size, front		mm	Φ210×70	Φ210×70
	3.3	Tyre size, rear		mm	Φ250×100	Φ250×100
	3.4	Additional wheels		mm	Φ74×48	Φ74×48
	3.5	Wheels, number front/rear (x=drive wheels)		mm	1x, 2/2	1x, 2/2
	3.6	Tread, front	b10	mm	545	545
	3.7	Tread, rear	b11	mm	640	640
Dimensions	4.2	Height, mast lowered	h1	mm	1375	1375
	4.3	Free lift	h2	mm	485	485
	4.4	Lift height	h3	mm	3615	3615
	4.5	Height, mast extended	h4	mm	4090	4090
	4.7	Height of overhead/ guard cabin	h6	mm	1425	1425
	4.8	Seat height/standing height	h7	mm	285	285
	4.14	Stand height, elevated	h12	mm	3000	3000
	4.15	Lowered height	h13	mm	—	—
	4.19	Overall length	l1	mm	1440	1440
	4.20	Length to face of forks	l2	mm	—	—
	4.21	Overall width	b1/b2	mm	750	750
	4.22	Fork dimensions	s/e/l	mm	—	—
	4.25	Distance between fork-arms	b5	mm	—	—
	4.32	Ground clearance, center of wheelbase	m2	mm	35	35
	Performance data	4.34.1	Aisle width for pallets 1000×1200 crossways	Ast	mm	—
4.34.2		Aisle width for pallets 800×1200 crossways	Ast	mm	—	—
4.35		Turning radius	Wa	mm	1260	1260
Electric-engine	5.1	Travel speed, laden/unladen		km/h	6/6.5	6/6.5
	5.2	Lifting speed, laden/unladen		m/s	0.22/0.27	0.22/0.27
	5.3	Lowering speed, laden/unladen		m/s	0.31/0.25	0.31/0.25
	5.8	Max. gradeability, laden/unladen		%	5/8	5/8
	5.10	Service brake			Electromagnetic	Electromagnetic
Addition data	6.1	Drive motor rating S2 60 min		kW	0.65	0.65
	6.2	Lift motor rating at S3 15%		kW	2.2	2.2
	6.4	Battery voltage/nominal capacity		V/Ah	24V/135	24V/120
	6.5	Battery weight		kg	50	71
Addition data	8.1	Type of drive unit			DC	DC
	10.5	Steering design			Electronic	Electronic
	10.7	Sound pressure level at the driver's ear		dB(A)	60	60

If there are improvements of technical parameters or configurations, no further notice will be given.
The diagram shown may contain non-standard configurations.



Option

No.	Optional items	JX0/JX0-30
2.1	Load wheel type	●Single
2.2	Load wheel material	●Rubber
2.3	Drive wheel material	●PU
2.7	Battery capacity	●120Ah Lead acid battery ○135Ah Li-ion battery
2.8	Charger	●24V-15A integrated charger for Lead acid battery ○24V-30A integrated charger for Li-ion battery
2.9	Battery indicator	●With time
2.14	Electrostatic chain	●No
3.3	Castor wheels	●Yes and not customized
3.9	Blue lamp	●Front blue lamp
3.12	Buzzer	●Drop buzzer ○Running buzzer ○Reversing buzzer
3.18	Guide wheel	●No ○Yes and not customized
3.20	Step on the safety switch with both feet	●No ○Yes and not customized
4.7	Overhead guard	●No

Note: ●Standard ○ Optional - Inconformity